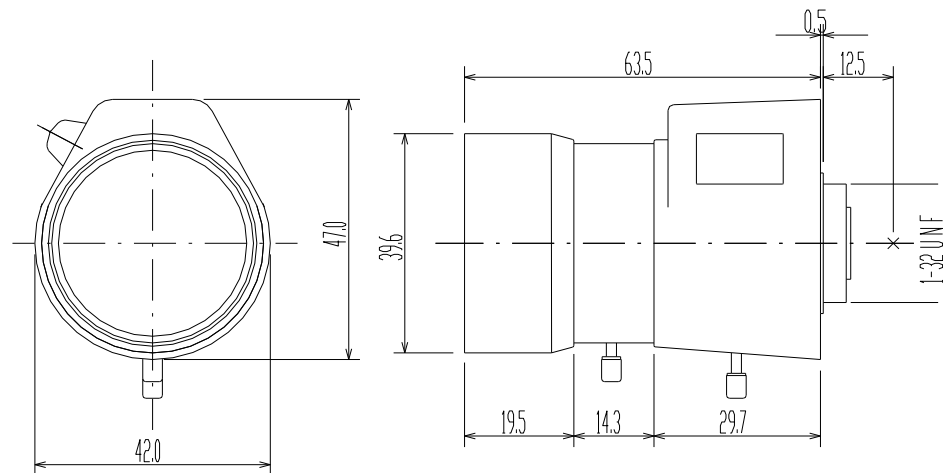


Type	AI VARI	Mount	CS	
Focal Length	7~50mm	Back Focus		
Fno.	F1.6	Mechanical Bf		
Designed Image Format	1/2.7" (ϕ 6.75mm)	Exit Pupil		
Operation Range	Iris	F1.6-T360	Filter Size	
	Focus	1.0m~ ∞	Aperture	
	Zoom	7~50mm		Front
Control	Zoom	7~50mm	Rear	
	Iris	Motorized		
	Focus	Manual with Lock	Dimension	42(W)x47(H)x64(L)mm
	Zoom	Manual with Lock	Weight	125g
Object Size at MOD	Wide			
	Tele			
Field of View	D	50.5° ~ 7.5°	46.4° ~ 6.9°	
	H	1/2.7" 41.3° ~ 6.0°	1/3" 37.8° ~ 5.5°	
	V	31.6° ~ 4.5°	28.8° ~ 4.1°	
Control	Iris	Focus	Zoom	
Motor type	PM type stepping motor			
Operation voltage	3V~5V			
Coil resistance	48 Ω /phase \pm 10%			
Excite driving method	2phase excitation bipolar method			
Step angle	18°			
Insulation resistance	1M Ω or more			
Input Signal	-			
Iris Accuracy	-			
Sensitivity Adjustment	-			
Operating Temperature	-10°C ~ +50°C			

DIMENSIONS



Wiring Diagram

P iris Connector for Auto Iris

PIN No.	STEP PHASE	CLOSE		OPEN	
		1	2	3	4
1	A	H	L	L	H
2	B	L	L	H	H
3	\bar{B}	H	H	L	L
4	\bar{A}	L	H	H	L

