

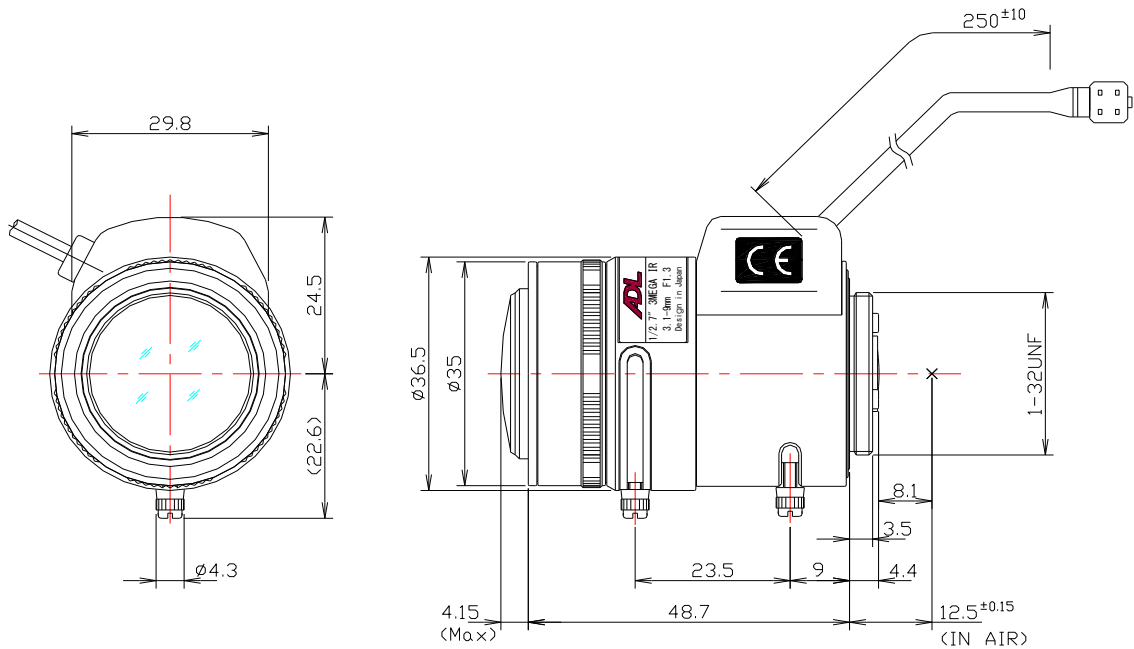
3 Mega Pixel

MSV3X3113S(P-Iris Pattern A)



Type	AI VARI		Mount	CS	
Focal Length	3.1~9.0mm		Back Focus	8.317~15.491mm	
Fno.	F1.3		Mechanical Bf	8.1mm	
Designed Image Format	1/2.7" (φ 6.6mm)		Exit Pupil	-281.9 ~ -30.15mm	
Operation Range	Iris	F1.3-Close	Filter Size	-	
	Focus	0.5m~∞	Aperture	Front	φ 23.3mm
	Zoom	3.1~9.0mm		Rear	φ 8.2mm
Control	Iris	Mortorized	Dimension	φ 36.5 x 48.7mm	
	Focus	Manual Control		Weight	55.5g
	Zoom	Manual Control			
	ICR	-			
Object Size at MOD	Wide	4:3 759.0x1206.2mm	16:9	593.7x1507.4mm	
	Tele	244.5x330.4mm		202.0x370.5mm	
Field of View	D	4:3 127.7° ~ 43.5°	16:9	130.3° ~ 44.3°	
	H	4:3 99.4° ~ 34.8°		111.4° ~ 38.6°	
	V	73.1° ~ 26.1°		60.1° ~ 21.6°	
Control	Iris		Focus	Zoom	
Motor type	PM type stepping motor		-	-	
Operation voltage	3V~5V		-	-	
Coil resistance	48 Ω /phase ± 10%		-	-	
Excite driving method	2phase excitation bipolar method		-	-	
Step angle	18°		-	-	
Insulation resistance	1M Ω or more		-	-	
Input Signal	-				
Iris Accuracy	-				
Sensitivity Adjustment	-				
Operating Temperature	-10 ~ +50 °C				

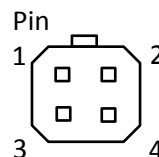
DIMENSIONS



Wiring Diagram

P Iris Connector for Auto Iris

PIN No.	STEP PHASE	CLOSE		OPEN	
		1	2	3	4
1	A	H	L	L	H
2	B	L	L	H	H
3	\bar{B}	H	H	L	L
4	\bar{A}	L	H	H	L



Subject to change without notice