

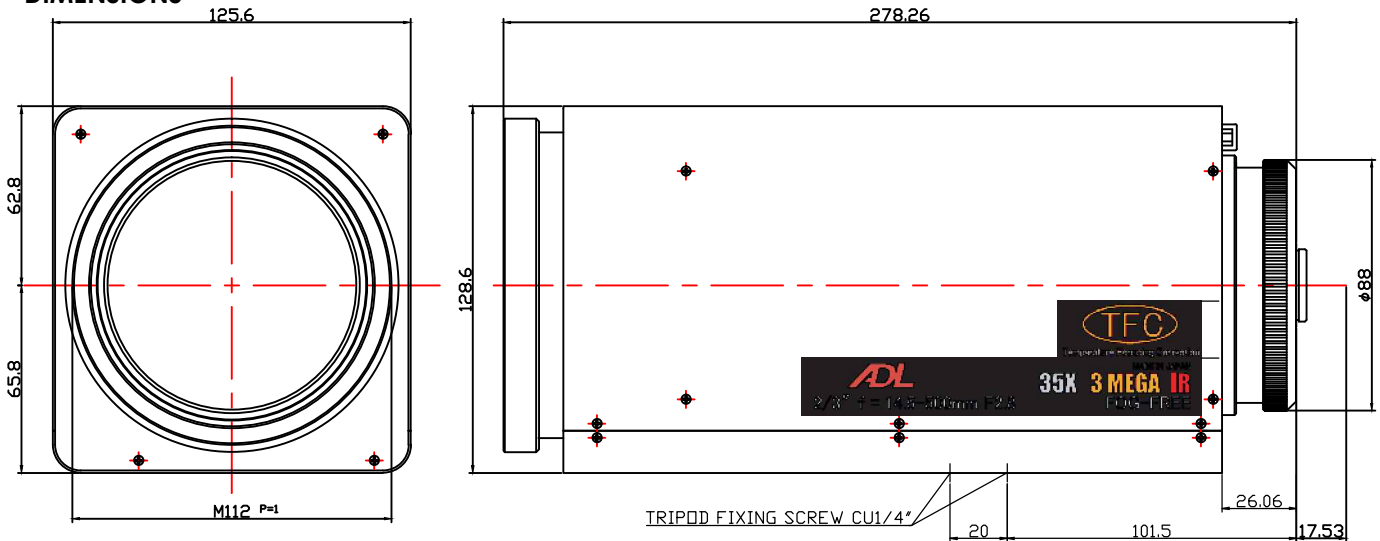
MZ35X1428DPFIR-T



3MEGA PIXEL

Type	AI ZOOM	Mount	C	2/3"			
Focal Length	14.5~500mm	Back Focus	28.5mm				
Fno.	F2.8	Mechanical Bf	17.53mm				
Designed Image Format	2/3"(6.6x8.8mm)	Exit Pupil	-96.71m				
Operation Range	Iris	F2.8-Close	Filter Size	M112 P=1			
	Focus	5.0m ~ infinity	Aperture	Front	ø86.7		
	Zoom	14.5~500mm		Rear	ø14.8		
Control	Iris	DC Galvanometer	Dimension	128.6x125.6x278.3mm	C		
	Focus	DC Motor				Weight	4500g
	Zoom	DC Motor					
Object Size at MOD	Wide	2947x2211mm					
	Tele	85.0x63.9mm					
Field of View	D	41.8°~1.25°	1/1.8"	34.6°~1.03°	1/2"	31.0°~0.91°	
	H	2/3" 34.0°~1.00°		28.0°~0.82°		25.0°~0.73°	
	V	25.8°~0.75°		21.1°~0.62°		18.8°~0.55°	
Control		Iris	Focus	Zoom			
Driving Coil/Supply Volt.		180Ω	DC 12V	DC 12V			
Damping Coil/Current		1100Ω	60mA or less	60mA or less			
Response Time		-	-	-			
Potentiometer		-	-	-			
Light Measuring Method		-					
Input Signal		-					
Iris Accuracy		-					
Sensitivity Adjustment		-					
Operating Temperature		-10 ~ +50 degree C				DP	

DIMENSIONS



CABLE CONNECTION

IRIS

4 - PIN PLUG

- ① (-) DAMPING COIL
- ② (+) DAMPING COIL
- ③ (+) DRIVING COIL
- ④ (-) DRIVING COIL

DRIVE

HDAB-15P

- ① FOCUS (+) FAR
- ② FOCUS (-)
- ③ ZOOM (+) WIDE
- ④ ZOOM (-)
- ⑤ Filter(+)Dummy
- ⑥ Filter(-)Visible Cut
- ⑦
- ⑧
- ⑨
- ⑩ LENS POT(+)
- ⑪ FOCUS POT WIP
- ⑫ ZOOM POT WIP
- ⑬ LENS POT(-)
- ⑭ Temperature Focusing Correction (+)
- ⑮ Temperature Focusing Correction (-)