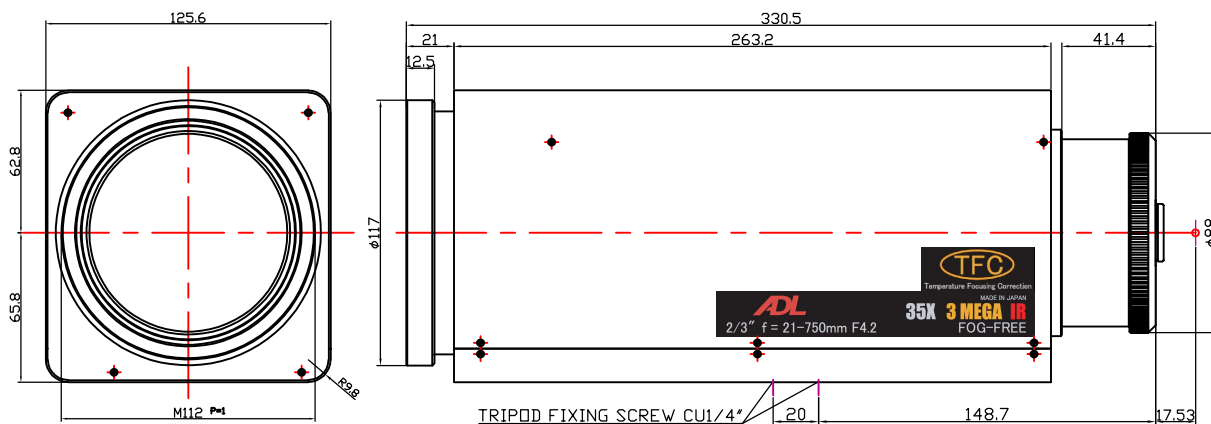


MZ35X2142DPFIR-T-MO

3MEGA PIXEL

Type	AI ZOOM		Mount	C	2/3"	
Focal Length	21~750mm		Back Focus	44.1mm		
Fno.	F4.2		Mechanical Bf	17.53mm		
Designed Image Format	2/3"(6.6X8.8mm)		Exit Pupil	-238mm		
Operation Range	Iris	F4.2-F64,Close		Filter Size	M112 P=1	
	Focus	5.0m ~ infinity		Aperture	Front	φ 86.7
	Zoom	21~750mm			Rear	φ 17.2
Control	Iris	Manual Override		Dimension	128.6x125.6x330.5mm	C
	Focus	DC Motor				
	Zoom	DC Motor				
Object Size at MOD	Wide	1966x1474mm				
	Tele	56.9x42.7mm				
Field of View	D	28.5°~0.84°	23.5°~0.69°	20.9°~0.61°		
	H	2/3" 23.0°~0.67°	1/1.8" 18.9°~0.55°	1/2" 16.8°~0.49°		
	V	17.3°~0.50°	14.2°~0.41°	12.6°~0.37°		
Control	Iris		Focus	Zoom		
Supply Volt.	DC 12V		DC 12V	DC 12V		
Input Volt	1.5~5.5V					
Current	50mA or less		60mA or less	60mA or less		
Response Time	-		-	-		
	-					
Input Signal	-					
Iris Accuracy	-					
Sensitivity Adjustment	-					
Operating Temperature	-10 ~ +50 degree C					DP

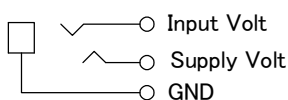
DIMENSIONS



CABLE CONNECTION

IRIS

AUDIO JACK(φ 3.5-3P)



DRIVE

HDAB-15P

- ① FOCUS (+) FAR
- ② FOCUS (-)
- ③ ZOOM (+) WIDE
- ④ ZOOM (-)
- ⑤ Filter(+)Dummy
- ⑥ Filter(-)Visible Cut
- ⑦
- ⑧
- ⑨
- ⑩ LENS POT(+)
- ⑪ FOCUS POT WIP
- ⑫ ZOOM POT WIP
- ⑬ LENS POT(-)
- ⑭ Temperature Focusing Correction (+)
- ⑮ Temperature Focusing Correction (-)