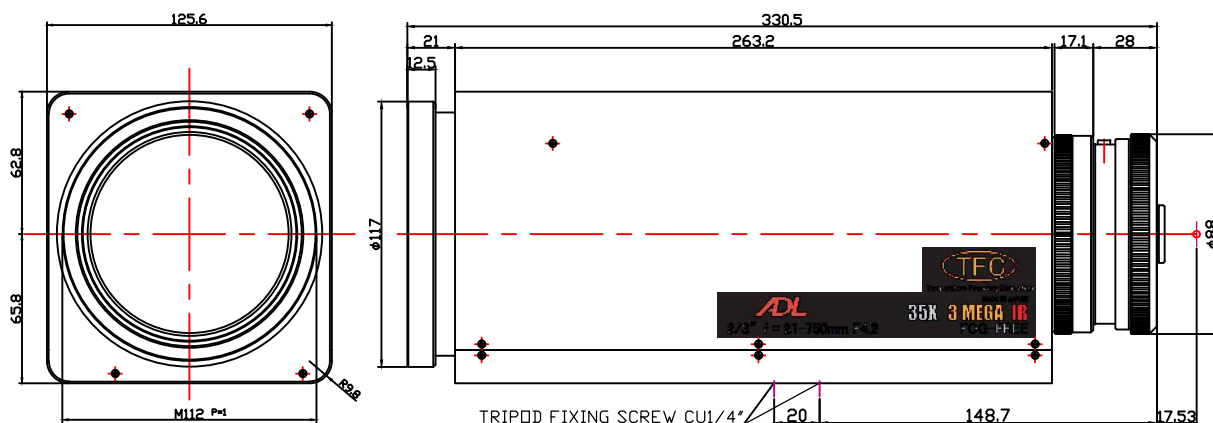


MZ35X2142DPFIR-T

3MEGA PIXEL

Type	AI ZOOM	Mount	C	2/3"			
Focal Length	21~750mm	Back Focus	44.1mm				
Fno.	F4.2	Mechanical Bf	17.53mm				
Designed Image Format	2/3"(6.6X8.8mm)	Exit Pupil	-238mm				
Operation Range	Iris	F4.2-Close	Filter Size	M112 P=1			
	Focus	5.0m ~ infinity	Aperture	Front	φ 86.7		
	Zoom	21~750mm		Rear	φ 17.2		
Control	Iris	DC Galvanometer	Dimension	128.6x125.6x330.5mm	C		
	Focus	DC Motor				Weight	5000g
	Zoom	DC Motor					
Object Size at MOD	Wide	1966x1474mm					
	Tele	56.9x42.7mm					
Field of View	D	28.5°~0.84°	23.5°~0.69°	20.9°~0.61°			
	H	2/3" 23.0°~0.67°	1/1.8" 18.9°~0.55°	1/2" 16.8°~0.49°			
	V	17.3°~0.50°	14.2°~0.41°	12.6°~0.37°			
Control	Iris	Focus	Zoom				
Driving Coil/Supply Volt.	180Ω	DC 12V	DC 12V				
Damping Coil/Current	1100Ω	60mA or less	60mA or less				
Response Time	-	-	-				
Potentiometer	-	-	-				
Light Measuring Method	-						
Input Signal	-						
Iris Accuracy	-						
Sensitivity Adjustment	-						
Operating Temperature	-10 ~ +50 degree C			DP			

DIMENSIONS



CABLE CONNECTION

IRIS

4 - PIN PLUG

- ① (-) DAMPING COIL
- ② (+) DAMPING COIL
- ③ (+) DRIVING COIL
- ④ (-) DRIVING COIL

DRIVE

HDAB-15P

- ① FOCUS (+) FAR
- ② FOCUS (-)
- ③ ZOOM (+) WIDE
- ④ ZOOM (-)
- ⑤ Filter(+)/Dummy
- ⑥ Filter(-)/Visible Cut
- ⑦
- ⑧
- ⑨
- ⑩ LENS POT(+)
- ⑪ FOCUS POT WIP
- ⑫ ZOOM POT WIP
- ⑬ LENS POT(-)
- ⑭ Temperature Focusing Correction (+)
- ⑮ Temperature Focusing Correction (-)