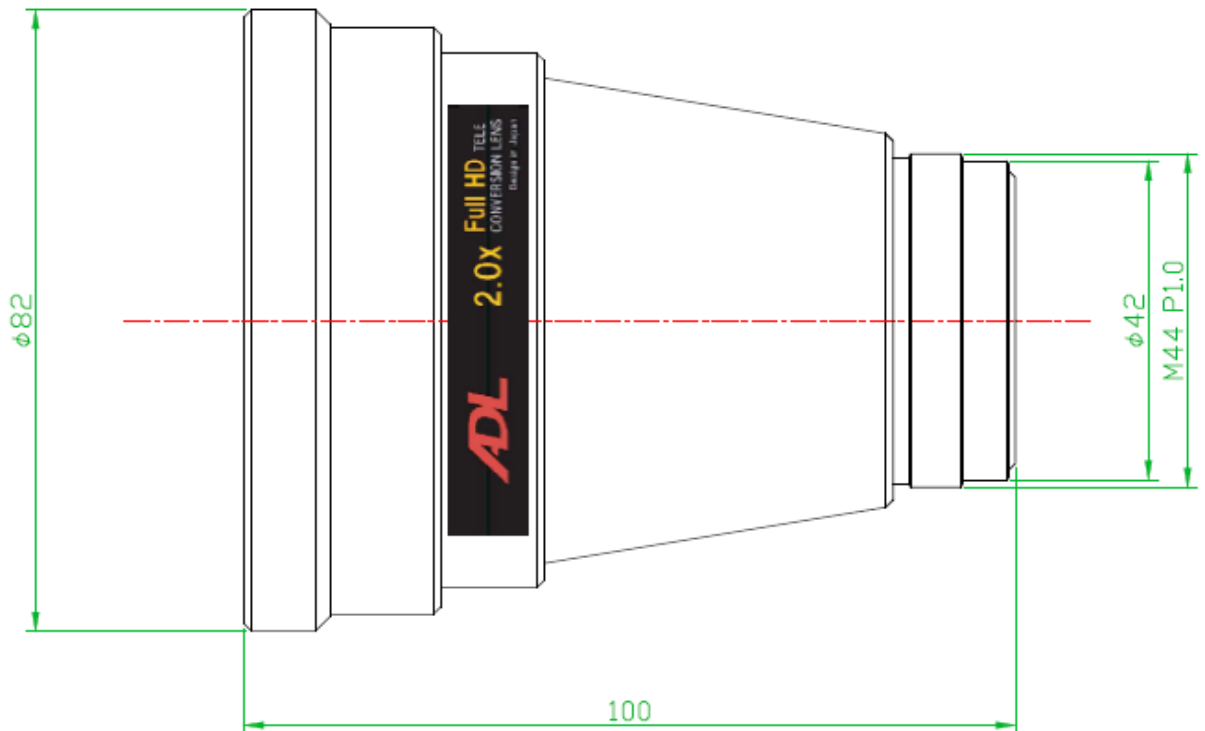


Type	Front Tele Converter		
Focal Length	2X		
Fno.	Keep Original		
Designed Image Format	1/2.7" (φ 6.6mm)		
Field of View	D	1/2 of Original	
	H		
	V		
Operating Temperature	-10 ~+50 °C		
Mount	φ 50mm Straight Mount		
Dimension	φ 82 x 110mm		
Weight	510g		

DIMENSIONS



Subject to change without notice