

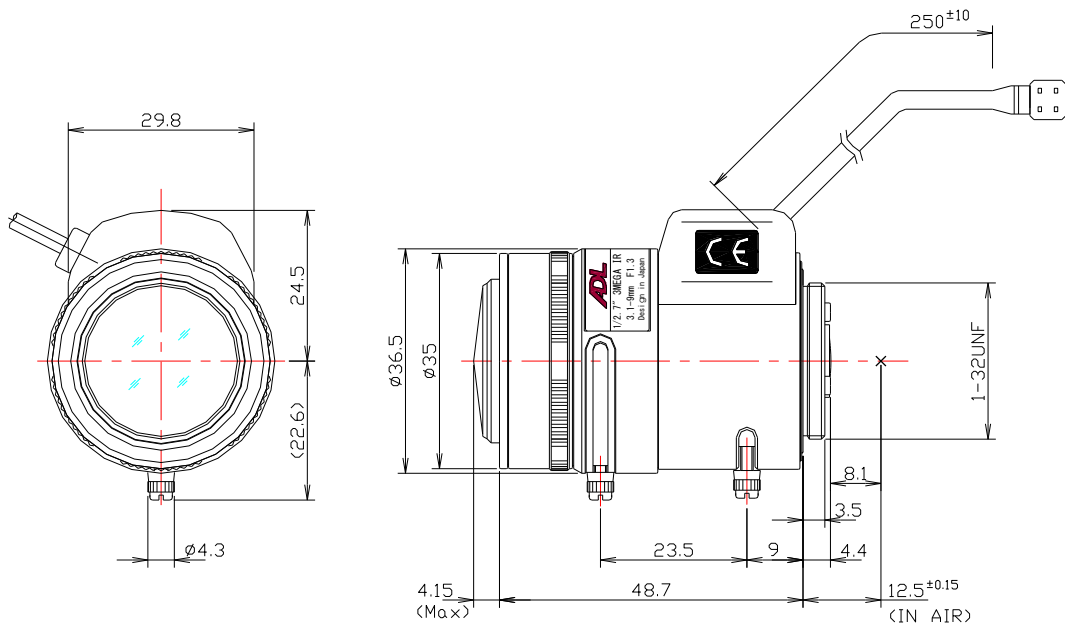
3 Mega Pixel

MSV3X3113D



Type	AI VARI		Mount	CS	
Focal Length	3.1~9.0mm		Back Focus	8.317~15.491mm	
Fno.	F1.3		Mechanical Bf	8.1mm	
Designed Image Format	1/2.7" (φ 6.6mm)		Exit Pupil	-281.9 ~ -30.15mm	
Operation Range	Iris	F1.3-T360	Filter Size	-	
	Focus	0.5m~∞	Aperture	Front	φ 23.3mm
	Zoom	3.1~9.0mm		Rear	φ 8.2mm
Control	Iris	DC Galvanometer	Dimension	φ 36.5 x 48.7mm	
	Focus	Manual Control		Weight	55.5g
	Zoom	Manual Control			
	ICR	-			
Object Size at MOD	Wide	4:3 759.0x1206.2mm	16:9	593.7x1507.4mm	
	Tele	244.5x330.4mm		202.0x370.5mm	
Field of View	D	4:3 127.7° ~ 43.5°	16:9	130.3° ~ 44.3°	
	H	99.4° ~ 34.8°		111.4° ~ 38.6°	
	V	73.1° ~ 26.1°		60.1° ~ 21.6°	
Control	Iris	Focus	Zoom	-	
Driving Coil/Supply Volt	190 Ω		-	-	-
Damping Coil/Current	855 Ω		-	-	-
Response Time	-		-	-	-
Potentiometer	-		-	-	-
Light Measuring Method	-				
Input Signal	-				
Iris Accuracy	-				
Sensitivity Adjustment	-				
Operating Temperature	-20 ~ +50 °C				

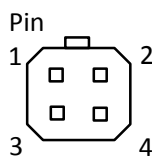
DIMENSIONS



Wiring Diagram

4 Pin Standard Connector for Auto Iris

Pin No. 1	Damping (-)
Pin No. 2	Damping (+)
Pin No. 3	Driving (+)
Pin No. 4	Driving (-)



Subject to change without notice