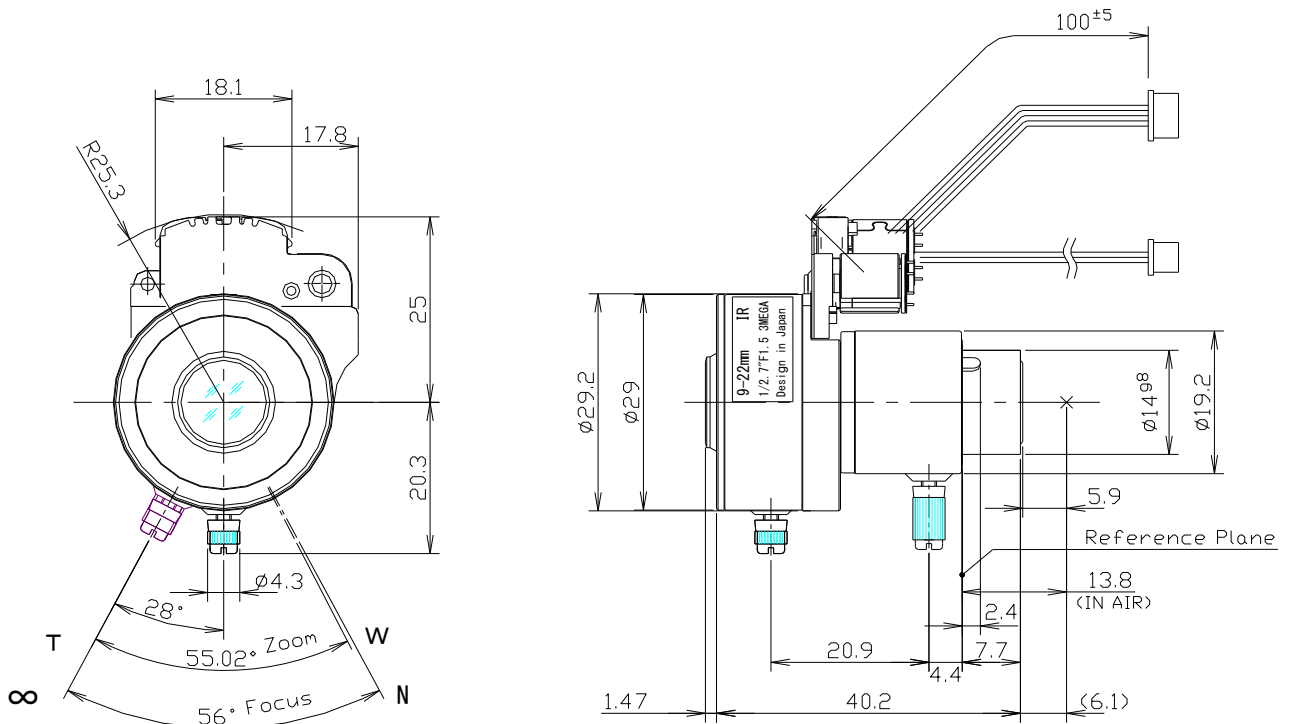


# MSVF2.4X0915IR-BCDN



Type	AI VARI		Mount	φ 14 Straight Mount
Focal Length	9.0~22.0mm		Back Focus	6.7~14.2mm
Fno.	F1.5		Flange Back	13.8mm
Designed Image Format	1/2.7"(φ 6.71)		Exit Pupil	-43.2 ~ -25.2mm
Operation Range	Iris	F1.5-F360	Filter Size	-
	Focus	0.5m~∞	Aperture	Front φ 10.5mm
	Zoom	9.0~22.0mm		Rear φ 7.3mm
Control	Iris	DC Galvanometer	Dimension	φ 29 x 40.2mm
	Focus	Manual Control		
	Zoom	Manual Control		
	ICR	DC Galvanometer		
Object Size at MOD	Wide	4:3 232.5x318.6mm	16:9 190.3x358.6mm	
	Tele	96.9x129.5mm	80.1x143.9mm	
Field of View	D	4:3 42.9° ~ 18.5°	16:9 43.7° ~ 18.0°	
	H	33.8° ~ 14.1°	37.7° ~ 15.7°	
	V	Screen 25.0° ~ 10.6°	Screen 20.6° ~ 8.8°	
Control	Iris	IR cut filter		
Motor type	Galvanometer	Galvanometer		
Operation voltage	3V ~ 5.0V	3V ~ 5.0V		
Driving Coil resistance	190Ω /phase ±10%	190Ω /phase ±10%		
Damping Coil resistance	465Ω /phase ±10%	-		
Excite driving method	-	-		
Reduction ratio	-	-		
Step angle	-	-		
Insulation resistance	1MΩ or more	1MΩ or more		
Light Measuring Method				-
Input Signal				-
Iris Accuracy				-
Sensitivity Adjustment				-
Operating Temperature				-20 ~ +50 °C

## DIMENSIONS



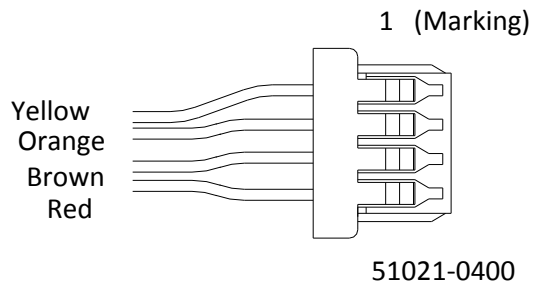
Subject to change without notice

# MSVF2.4X0915IR-BCDN



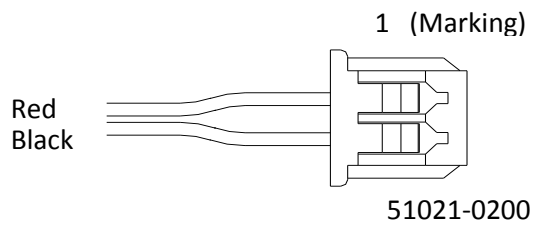
## CONNECTION & CONTROL

(1) Auto Iris terminal



Pin number	Color	Assignment
1	Yellow	Damping(+)
2	Orange	Damping(-)
3	Brown	Driving (+)
4	Red	Driving (-)

(2) IR Cut Filter Control terminal



Pin number	Color	Assignment
1	Red	IR IN/OUT(-/+)
2	Black	IR GND