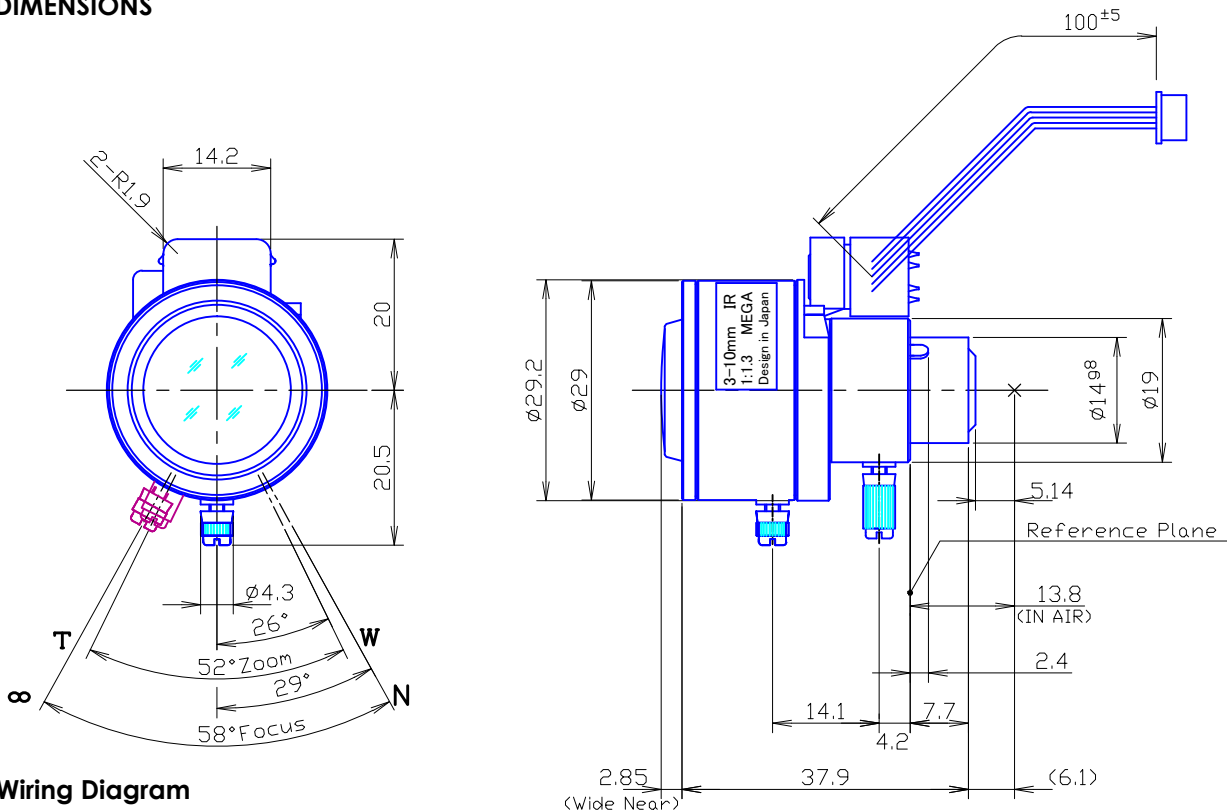


# MTVF3.3X0313IR-BCD

Type	AI VARI		Mount	ø14 Straight Mount
Focal Length	3.0~10.0mm		Back Focus	5.4~12.3mm
Fno.	F1.3		Flange Back	13.8mm
Designed Image Format	1/3"(4.8x3.6mm)		Exit Pupil	-87.6 ~ -21.1mm
Operation Range	Iris	F1.3-F360	Filter Size	-
	Focus	0.5m~ ∞	Aperture	Front ø 15.9mm
	Zoom	3.0~10.0mm		Rear ø 6.5mm
Control	Iris	DC Galvanometer	Dimension	ø29 x 37.9mm
	Focus	Manual		
	Zoom	Manual		
Object Size at MOD	Wide	697.7x1123.9mm	Weight	20.5g
	Tele	194.2x261.5mm		
Field of View	D	1/3" $\frac{126.1^{\circ} \sim 36.2^{\circ}}$	1/4" $\frac{87.8^{\circ} \sim 27.1^{\circ}}$	FM
	H	$\frac{94.8^{\circ} \sim 28.9^{\circ}}$		
	V	$\frac{68.3^{\circ} \sim 21.7^{\circ}}$		
Control	Iris		Focus	Zoom
Driving Coil/Supply Volt.	190Ω		-	-
Damping Coil/Current	855Ω		-	-
Response Time	-		-	-
Potentiometer	-		-	-
Light Measuring Method	-		-	-
Input Signal	-		-	-
Iris Accuracy	-		-	-
Sensitivity Adjustment	-		-	-
Operating Temperature	-20 ~ +50 degree C		-	BCD

## DIMENSIONS



## Wiring Diagram

1) 4-pin Connector for Auto Iris  
(Molex : 51021-0400 Single Socket)

Pin No.1	Yellow	Damping(+)
2	Orange	Damping(-)
3	Brown	Driving (+)
4	Red	Driving (-)