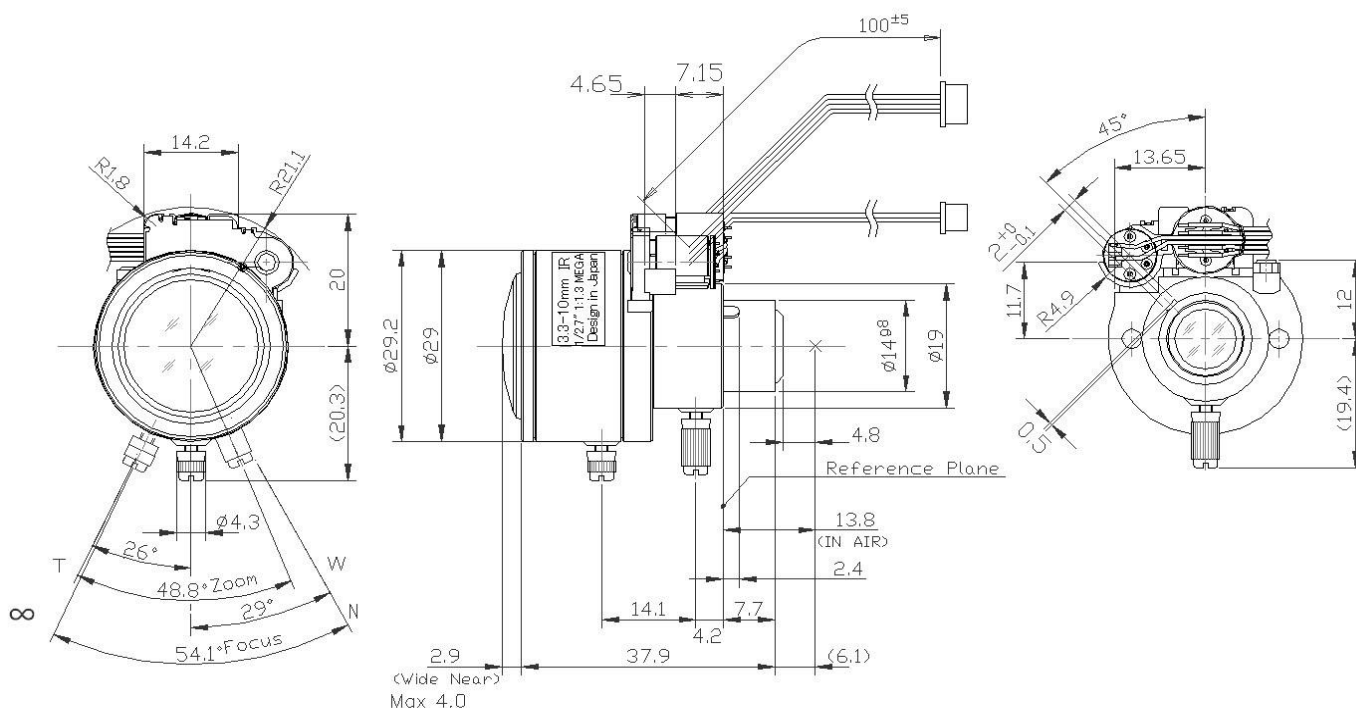


MSVF3X3313IR2-BCDN



Type	AI VARI		Mount	φ 14 Straight Mount
Focal Length	3.3~10.0mm		Back Focus	5.476~11.97mm
Fno.	F1.3		Flange Back	13.8mm
Designed Image Format	1/2.7"(φ 6.71)		Exit Pupil	-82.738 ~ -21.694mm
Operation Range	Iris	F1.3-F360	Filter Size	-
	Focus	0.5m~∞	Aperture	Front φ 19.5mm
	Zoom	3.3~10.0mm		Rear φ 7.0mm
Control	Iris	DC Galvanometer	Dimension	φ 29 x 37.9mm
	Focus	Manual Control		
	Zoom	Manual Control		
	ICR	DC Galvanometer		
Object Size at MOD	Wide	701.1x1132.2mm	545.4x1446mm	
	Tele	215.8x291.2mm	177.7x325mm	
Field of View	D	130.5° ~ 39.7°	134.8° ~ 40.4°	
	H	4:3 95.7° ~ 31.8°	16:9 109.2° ~ 35.2°	
	V	Screen 68.8° ~ 23.8°	Screen 56.1° - 19.7°	
Control	Iris	IR cut filter		
Motor type	Galvanometer	Galvanometer		
Operation voltage	3V ~ 5.0V	3V ~ 5.0V		
Driving Coil resistance	190 Ω /phase ±10%	190 Ω /phase ±10%		
Damping Coil resistance	855 Ω /phase ±10%	-		
Excite driving method	-	-		
Reduction ratio	-	-		
Step angle	-	-		
Insulation resistance	1M Ω or more	1M Ω or more		
Light Measuring Method	-			
Input Signal	-			
Iris Accuracy	-			
Sensitivity Adjustment	-			
Operating Temperature	-20 ~ +50 °C			

DIMENSIONS



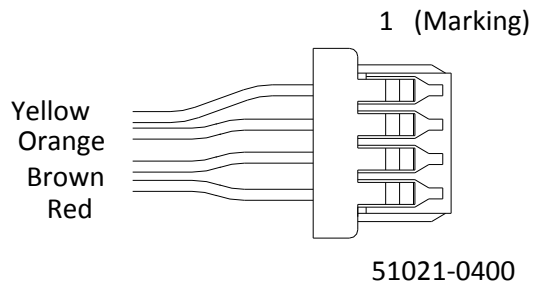
Subject to change without notice

MSVF3X3313IR2-BCDN



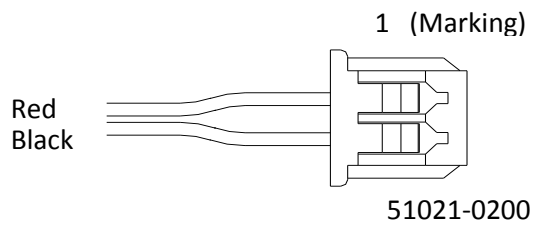
CONNECTION & CONTROL

(1) Auto Iris terminal



Pin number	Color	Assignment
1	Yellow	Damping(+)
2	Orange	Damping(-)
3	Brown	Driving (+)
4	Red	Driving (-)

(2) IR Cut Filter Control terminal



Pin number	Color	Assignment
1	Red	IR IN/OUT(-/+)
2	Black	IR GND