

# TZ8X0612VP

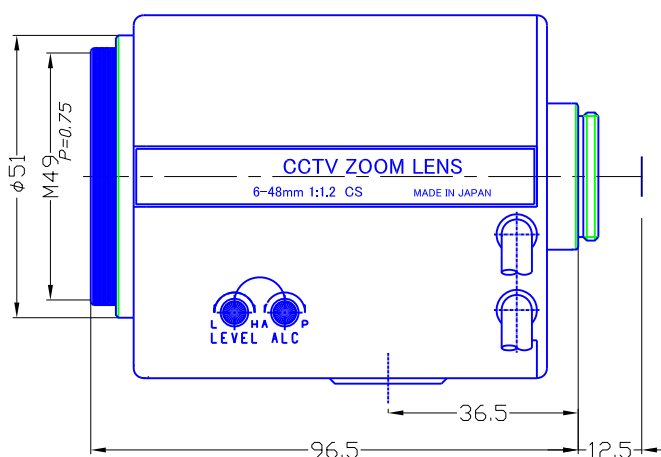
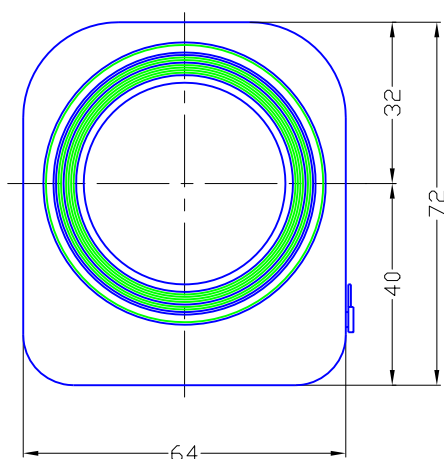
Type	AI ZOOM	Mount	CS
Focal Length	6~48mm	Back Focus	11.51mm
Fno.	F1.2	Mechanical Bf	8.5mm
Designed Image Format	1/3"(3.6x4.8mm)	Exit Pupil	45.5mm
Operation Range	Iris	F1.2-T360	Filter Size
	Focus	1m ~ ∞	Aperture
	Zoom	6~48mm	
Control	Iris	DC Galvanometer	Dimension
	Focus	DC Motor	
	Zoom	DC Motor	
Object Size at MOD	Wide	564 x 760mm	Weight
	Tele	74x 97mm	
Field of View	D	55.0°~7.1°	1/4"
	H	44.3°~5.8°	
	V	33.3°~4.4°	
Control	Iris	Focus	Zoom
Driving Coil/Supply Volt.	182Ω	DC 6-12V	DC 6-12V
Damping Coil/Current	1145Ω	60mA or less	60mA or less
Response Time	-	1 - 2 sec.	1 - 2 sec.
Potentiometer	-	10KΩ VR	10KΩ VR
Light Measuring Method	Average to Peak(Factory set at Average)		
Input Signal	Video Signal (V or VS)		
Iris Accuracy	±15% at Video Signal Level		
Sensitivity Adjustment	0.4~1.0Vp-p(Video Signal)		
Operating Temperature	-10°C~+50°C		

1/3"

CS

CVP

## DIMENSIONS



## Wiring Diagram

1) 3-core Cable for Auto Iris

RED	+ 12V
WHITE	Video
BLACK	GND

3) 6-core Cable for Potentiometer to control zooming and focusing

Green	Focus (+)	Far to Near (≒9.5 - 0.5KΩ)
Blue	Focus (-)	
Purple	Focus (-)	Wide to Tele (≒9.5 - 0.5KΩ)
Grey	Zoom (+)	
White	Zoom (-)	
Black	Zoom (-)	

2) 4-core Cable for Focus / Zoom Control

Black	Focus (+)	Far to Near (-)	Near to Far
Green	Focus (-)	Far to Near (+)	Near to Far
Yellow	Zoom (+)	Wide to Tele (-)	Tele to Wide
Red	Zoom (-)	Wide to Tele (+)	Tele to Wide