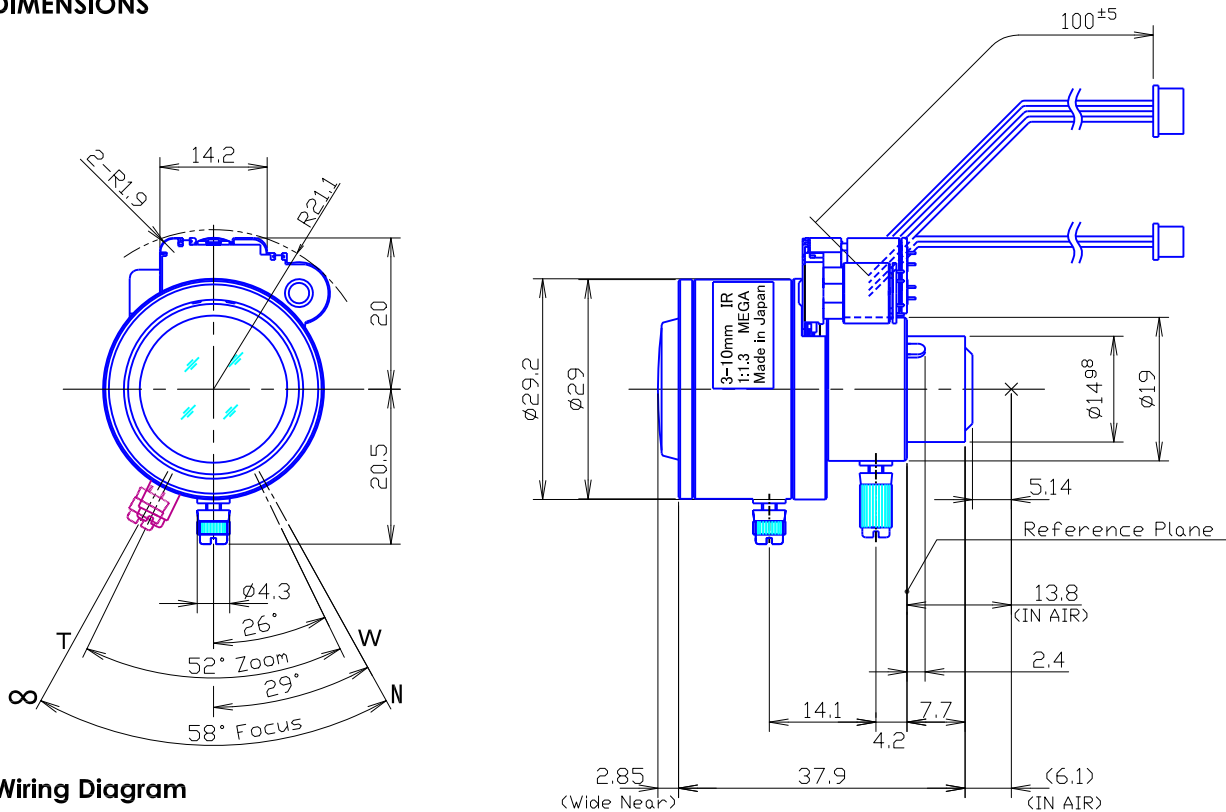


MTVF3.3X0313IR-BCDN

Type	AI VARI		Mount	ø14 Straight Mount		
Focal Length	3.0~10.0mm		Back Focus	5.4~12.3mm		
Fno.	F1.3		Flange Back	13.8mm		
Designed Image Format	1/3"(4.8x3.6mm)		Exit Pupil	-87.6 ~ -21.1mm		
Operation Range	Iris	F1.3-F360	Filter Size	-		
	Focus	0.15m~∞	Aperture	Front ø 15.9mm		
	Zoom	3.0~10.0mm		Rear ø 6.5mm		
Control	Iris	DC Galvanometer	Dimension	ø29 x 37.9mm		
	Focus	Manual			Weight	31g
	Zoom	Manual				
Object Size at MOD	Wide	218.4x352.9mm				
	Tele	60.7x81.8mm				
Field of View	D	1/3" 127.2°~36.0°	1/4" 88.2°~27.0°			
	H	95.6°~28.8°	68.8°~21.6°			
	V	68.8°~21.6°	50.6°~16.2°			
Control	Iris	Focus	Zoom			
Driving Coil/Supply Volt.	190Ω	-	-			
Damping Coil/Current	855Ω	-	-			
Response Time	-	-	-			
Potentiometer	-	-	-			
Light Measuring Method	-					
Input Signal	-					
Iris Accuracy	-					
Sensitivity Adjustment	-					
Operating Temperature	-10 ~ +50 degree C					

1/3"
FM
BCD

DIMENSIONS



Wiring Diagram

1) 4-pin Connector for Auto Iris
(Molex : 51021-0400 Single Socket)

Pin No.1	Yellow	Damping(+)
2	Orange	Damping(-)
3	Brown	Driving (+)
4	Red	Driving (-)

2) 2-pin Connector for IR Cut Filter
(Molex : 51021-0200 Single Socket)

Pin No.1	Red	IR IN/OUT(+)
2	Black	IR GND