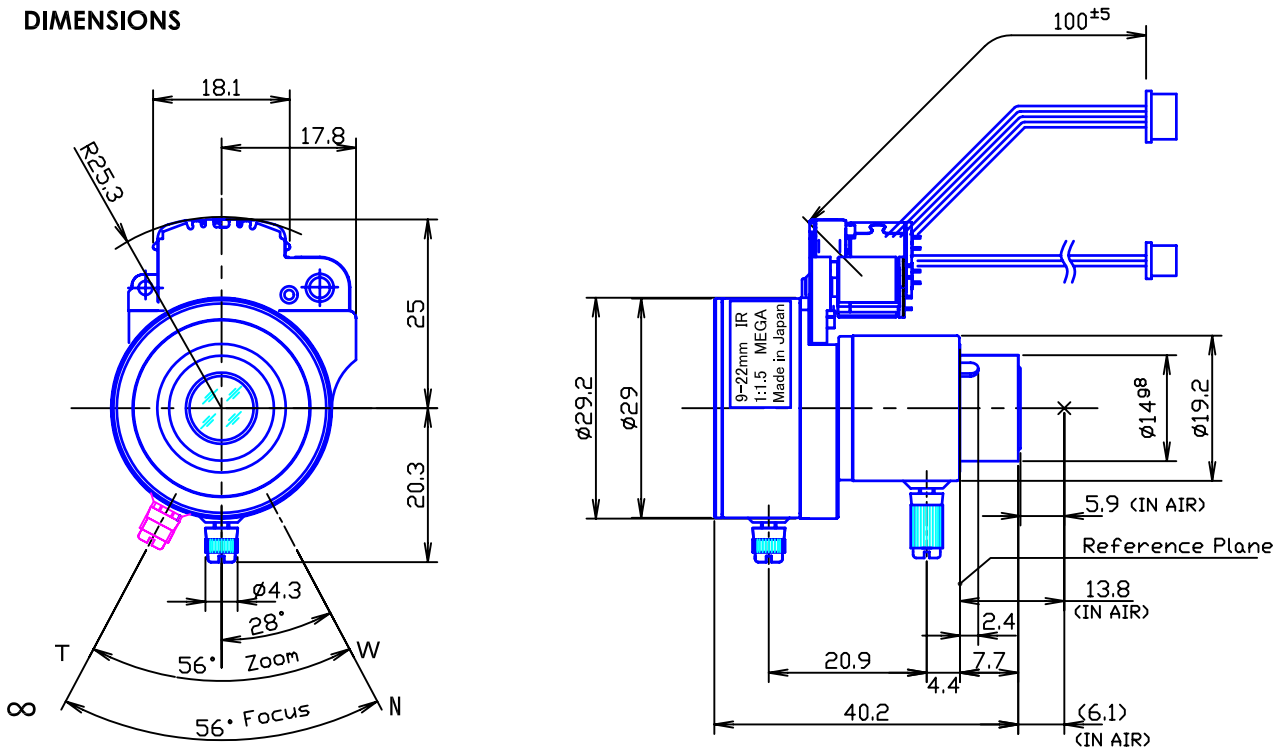


MTVF2.4X0915IR-BCDN

Type	AI VARI		Mount	ø14 Straight Mount
Focal Length	9.0~22.0mm		Back Focus	6.7~14.2mm
Fno.	F1.5		Flange Back	13.8mm
Designed Image Format	1/3"(4.8x3.6mm)		Exit Pupil	-40.8 ~ -25.6mm
Operation Range	Iris	F1.5-F360	Filter Size	-
	Focus	0.50m~∞	Aperture	Front ø8.2mm
	Zoom	9.0~22.0mm		Rear ø7.1mm
Control	Iris	DC Galvanometer	Dimension	ø29.2 x 40.2mm
	Focus	Manual		
	Zoom	Manual		
Object Size at MOD	Wide	207.6x284.8mm		
	Tele	88.4x118.2mm		
Field of View	D	39.0°~16.2°	1/4"	28.6°~12.2°
	H	1/3" 30.6°~13.0°		22.6°~9.8°
	V	22.6°~9.8°		16.8°~7.2°
Control	Iris	Focus	Zoom	
Driving Coil/Supply Volt.	190Ω		-	-
Damping Coil/Current	465Ω		-	-
IR Cut Filter	3.5V ~ 5V		-	-
Response Time	-		-	-
Potentiometer	-		-	-
Light Measuring Method	-		-	-
Input Signal	-		-	-
Iris Accuracy	-		-	-
Sensitivity Adjustment	-		-	-
Operating Temperature	-10 ~ +50 degree C		-	-

1/3"
FM
BCDN

DIMENSIONS



Wiring Diagram

1) 4-pin Connector for Auto Iris
(Molex : 51021-0400 Single Socket)

Pin No.1	Yellow	Damping(+)
2	Orange	Damping(-)
3	Brown	Driving (+)
4	Red	Driving (-)

2) 2-pin Connector for IR Cut Filter
(Molex : 51021-0200 Single Socket)

Pin No.1	Red	IR IN/OUT(+/-)
2	Black	IR GND