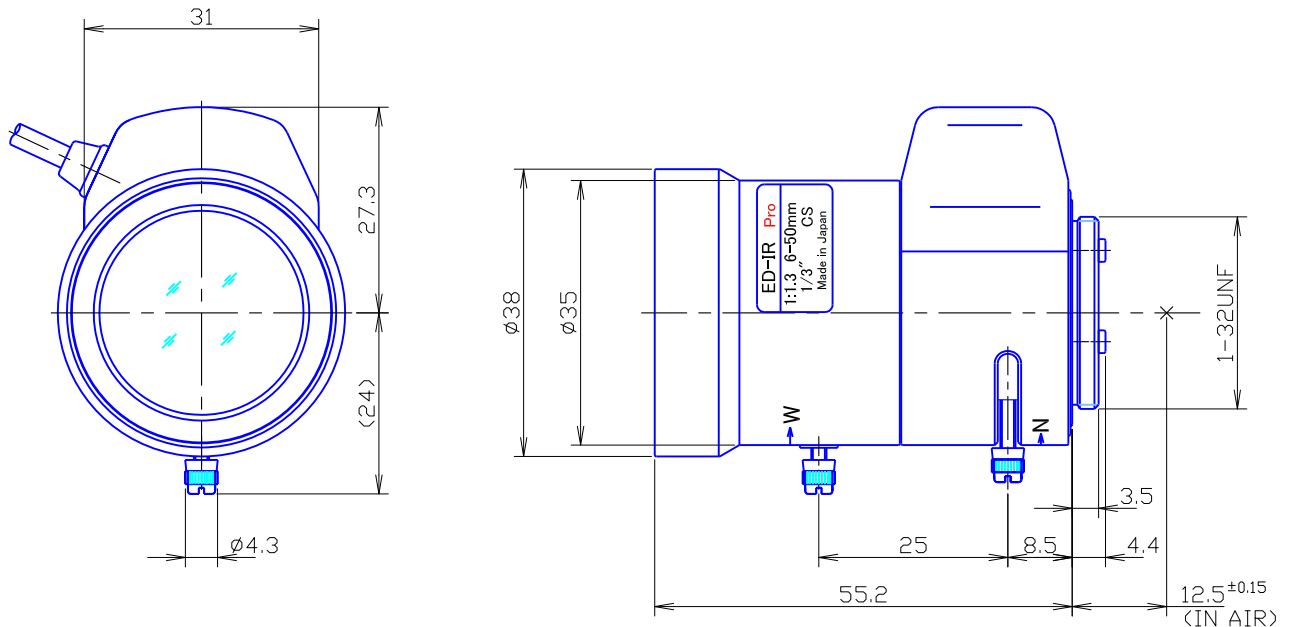


MTV8X0613D

Type	AI VARI		Mount	CS		
Focal Length	6.0~50.0mm		Back Focus	11.51~9.55mm		
Fno.	F1.3		Mechanical Bf	8.1mm		
Designed Image Format	1/3"(4.8x3.6mm)		Exit Pupil	-45.60 ~ -66.23		
Operation Range	Iris	F1.3-F360	Filter Size	-		
	Focus	1.0m ~ infinity	Aperture	Front	ø26.2mm	
	Zoom	6.0~50.0mm		Rear	ø9.7mm	
Control	Iris	DC Galvanometer	Dimension	38x51.3x55.2mm		
	Focus	Manual		Weight	73g	
	Zoom	Manual				
Object Size at MOD	Wide	-				
	Tele	-				
Field of View	D	54.90°~6.90°	1/4"	41.48°~5.26°		
	H	44.20°~5.56°		33.28°~4.24°		
	V	33.28°~4.24°		25.00°~3.20°		
Control	Iris		Focus		Zoom	
Driving Coil/Supply Volt.	190Ω		-		-	
Damping Coil/Current	1310Ω		-		-	
Response Time	-		-		-	
Potentiometer	-		-		-	
Light Measuring Method	-					
Input Signal	-					
Iris Accuracy	-					
Sensitivity Adjustment	-					
Operating Temperature	-10 ~ +50℃					

1/3"
CS
CSD

DIMENSIONS



Wiring Diagram

1) 4 Pin Standard Connector for Auto Iris

Pin No.1	Damping (-)
2	Damping (+)
3	Driving (+)
4	Driving (-)

