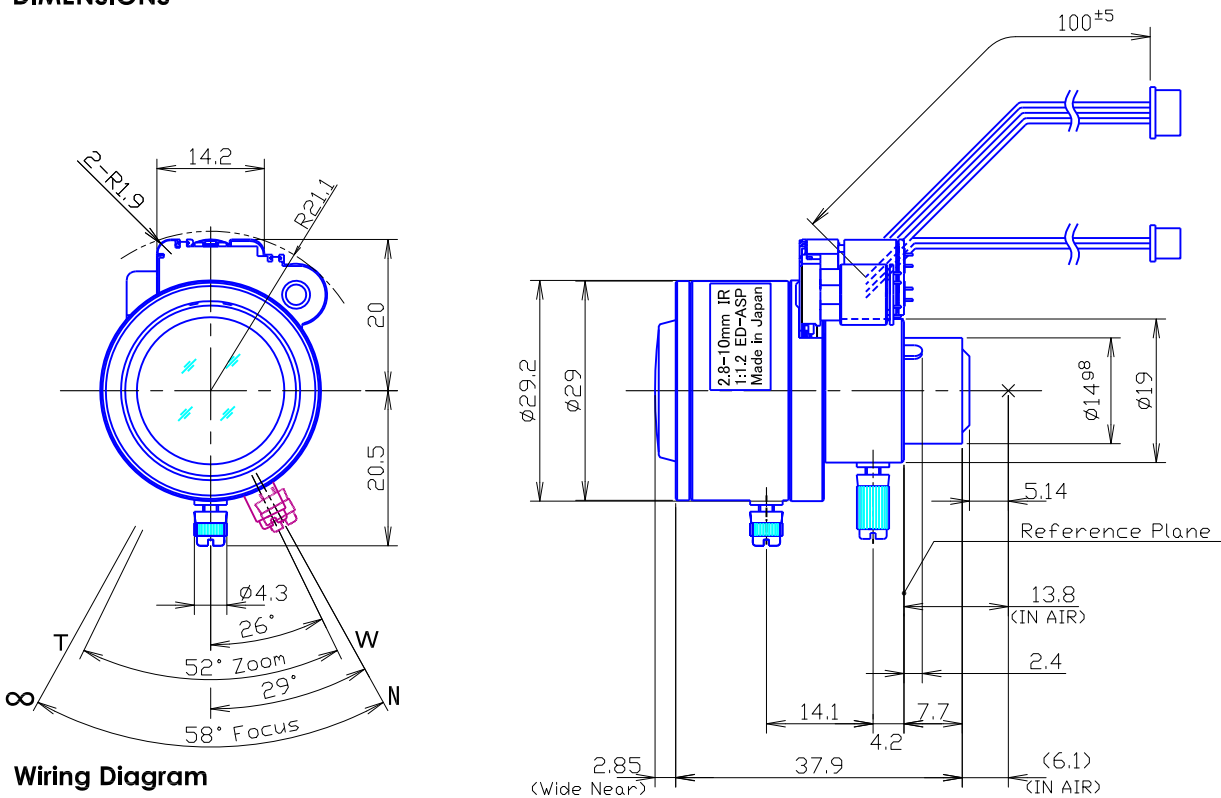


TVF3.6X2812IR-BCDN

Type	AI VARI		Mount	ø14 Straight Mount		
Focal Length	2.8~10.0mm		Back Focus	5.4~12.3mm		
Fno.	F1.2		Flange Back	13.8mm		
Designed Image Format	1/3"(4.8x3.6mm)		Exit Pupil	-103.3 ~ -21.5mm		
Operation Range	Iris	F1.2-F360	Filter Size	-		
	Focus	0.15m~∞	Aperture	Front	ø15.9mm	
	Zoom	2.8~10.0mm		Rear	ø6.6mm	
Control	Iris	DC Galvanometer	Dimension	ø29 x 37.9mm		
	Focus	Manual		Weight	31g	
	Zoom	Manual				
Object Size at MOD	Wide	216.9x347.6mm				
	Tele	60.8x81.9mm				
Field of View	D	131.5°~36.0°	1/4"	91.6°~27.0°	FM	
	H	1/3" 98.8°~28.8°		71.1°~21.6°		
	V	71.1°~21.6°		52.2°~16.2°		
Control	Iris		Focus		Zoom	
Driving Coil/Supply Volt.	190Ω			-	-	
Damping Coil/Current	855Ω			-	-	
IR Cut Filter	3.5V ~ 5V			-	-	
Response Time	-			-	-	
Potentiometer	-			-	-	
Light Measuring Method	-			-	-	
Input Signal	-			-	-	
Iris Accuracy	-			-	-	
Sensitivity Adjustment	-			-	-	
Operating Temperature	-10 ~ +50 degree C			-	-	

1/3"
FM
BCDN

DIMENSIONS



Wiring Diagram

1) 4-pin Connector for Auto Iris
(Molex : 51021-0400 Single Socket)

Pin No.1	Yellow	Damping(+)
2	Orange	Damping(-)
3	Brown	Driving (+)
4	Red	Driving (-)

2) 2-pin Connector for IR Cut Filter
(Molex : 51021-0200 Single Socket)

Pin No.1	Red	IR IN/OUT(+/-)
2	Black	IR GND