

TVF3.2X0310IR-BCDN

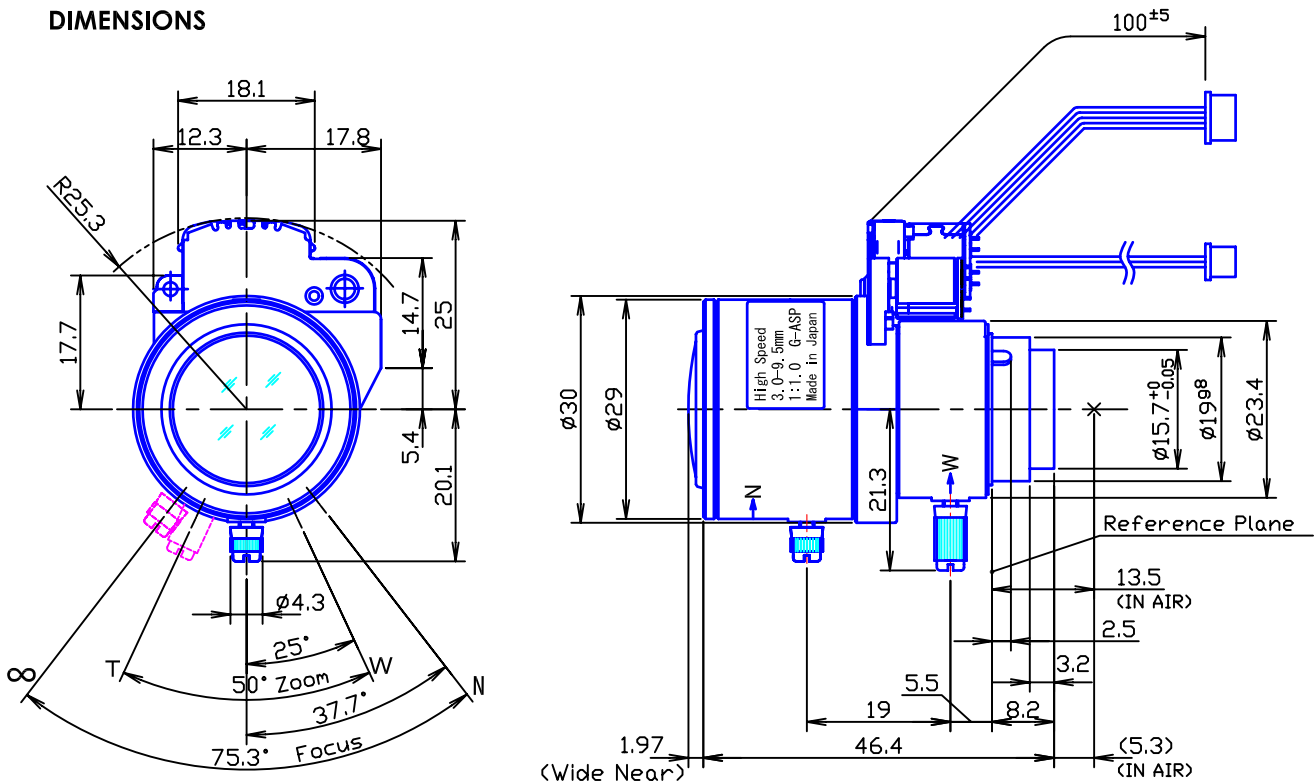
Type	AI VARI	Mount	ø19 Straight Mount			
Focal Length	3.0~9.5mm	Back Focus	5.25~12.0mm			
Fno.	F1.0	Flange Back	13.5mm			
Designed Image Format	1/3"(4.8x3.6mm)	Exit Pupil	-397.2 ~ -25.5mm			
Operation Range	Iris	F1.0~F360	Filter Size	-		
	Focus	0.15m~∞	Aperture	Front	ø18.0mm	
	Zoom	3.0~9.5mm		Rear	ø8.0mm	
Control	Iris	DC Galvanometer	Dimension	ø29 x 46.4mm		
	Focus	Manual		Weight	33g	
	Zoom	Manual				
Object Size at MOD	Wide	110.2x175.3mm				
	Tele	32.0x 43.1mm				
Field of View	D	123.6°~37.6°	1/4"	88.2°~28.2°		
	H	95.0°~30.2°	1/3"	69.0°~22.6°		
	V	69.0°~22.6°	1/4"	50.8°~17.0°		
Control	Iris	Focus	Zoom			
Driving Coil/Supply Volt.	190Ω	-	-			
Damping Coil/Current	465Ω	-	-			
IR Cut Filter	3.5V ~ 5V	-	-			
Response Time	-	-	-			
Potentiometer	-	-	-			
Light Measuring Method	-	-	-			
Input Signal	-	-	-			
Iris Accuracy	-	-	-			
Sensitivity Adjustment	-	-	-			
Operating Temperature	-10°C~+50°C					

1/3"

FM

BCDN

DIMENSIONS



Wiring Diagram

1) 4-pin Connector for Auto Iris
(Molex : 51021-0400 Single Socket)

Yellow	Damping(+)	▶
Orange	Damping(-)	
Brown	Driving (+)	
Red	Driving (-)	

2) 2-pin Connector for IR Cut Filter
(Molex : 51021-0200 Single Socket)

Pin No.1	Red	IR IN/OUT(+/-)	▶
2	Black	IR GND	