

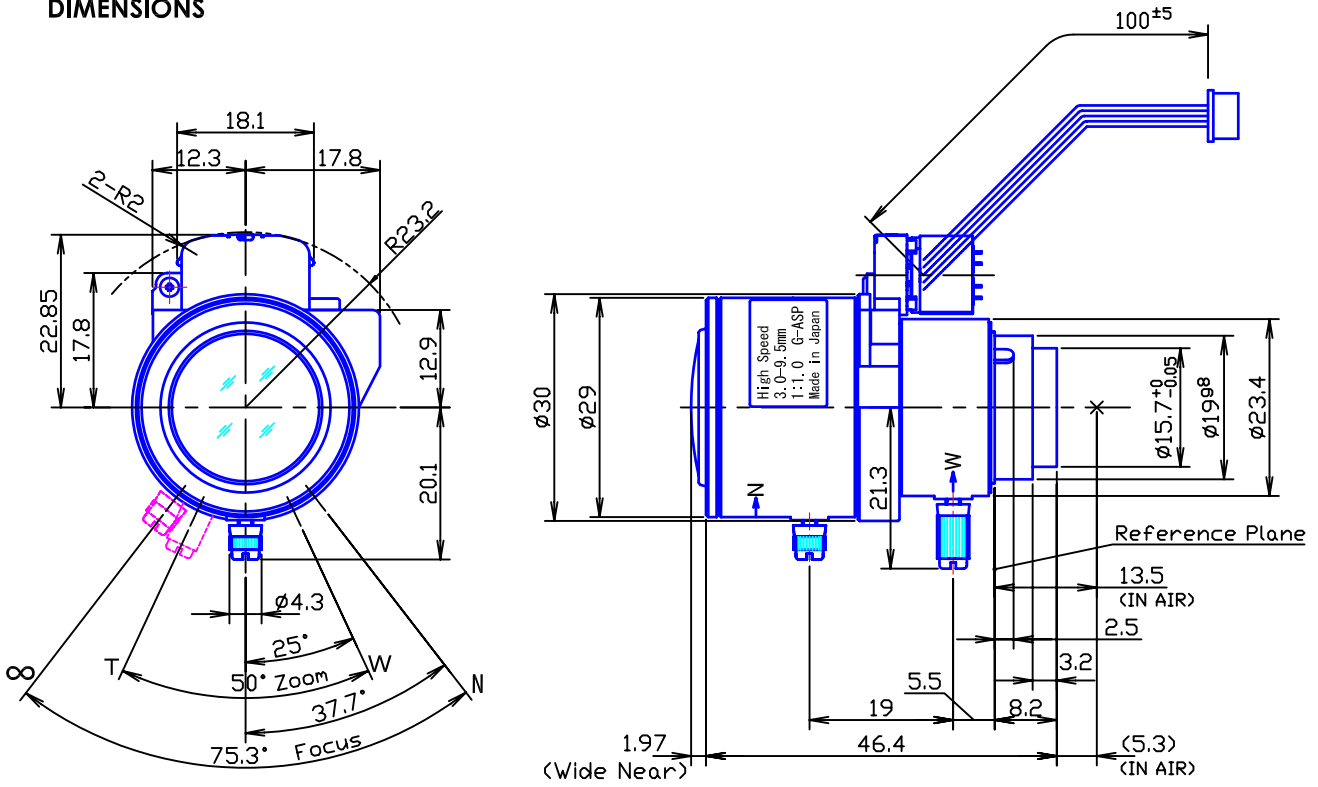
TVF3.2X0310IR-BCD



Type	AI VARI		Mount	ø19 Straight Mount		
Focal Length	3.0~9.5mm		Back Focus	5.25~12.0mm		
Fno.	F1.0		Flange Back	13.5mm		
Designed Image Format	1/3"(4.8x3.6mm)		Exit Pupil	-397.2 ~ -25.5mm		
Operation Range	Iris	F1.0-F360	Filter Size	-		
	Focus	0.15m~∞	Aperture	Front	ø18.0mm	
	Zoom	3.0~9.5mm		Rear	ø8.0mm	
Control	Iris	DC Galvanometer	Dimension	ø29 x 46.4mm		
	Focus	Manual		Weight	33g	
	Zoom	Manual				
Object Size at MOD	Wide	110.2x175.3mm				
	Tele	32.0x 43.1mm				
Field of View	D	123.6°~37.6°	1/4"	88.2°~28.2°		
	H	95.0°~30.2°		69.0°~22.6°		
	V	69.0°~22.6°		50.8°~17.0°		
Control	Iris		Focus		Zoom	
Driving Coil/Supply Volt.	190Ω			-	-	
Damping Coil/Current	465Ω			-	-	
Response Time	-			-	-	
Potentiometer	-			-	-	
Light Measuring Method	-			-	-	
Input Signal	-			-	-	
Iris Accuracy	-			-	-	
Sensitivity Adjustment	-			-	-	
Operating Temperature	-10°C~+50°C			-	-	

1/3"
FM
BCD

DIMENSIONS



Wiring Diagram

1) 4-pin Connector for Auto Iris
(Molex : 51021-0400 Single Socket)

Pin No.1	Yellow	Damping(+)
2	Orange	Damping(-)
3	Brown	Driving (+)
4	Red	Driving (-)