

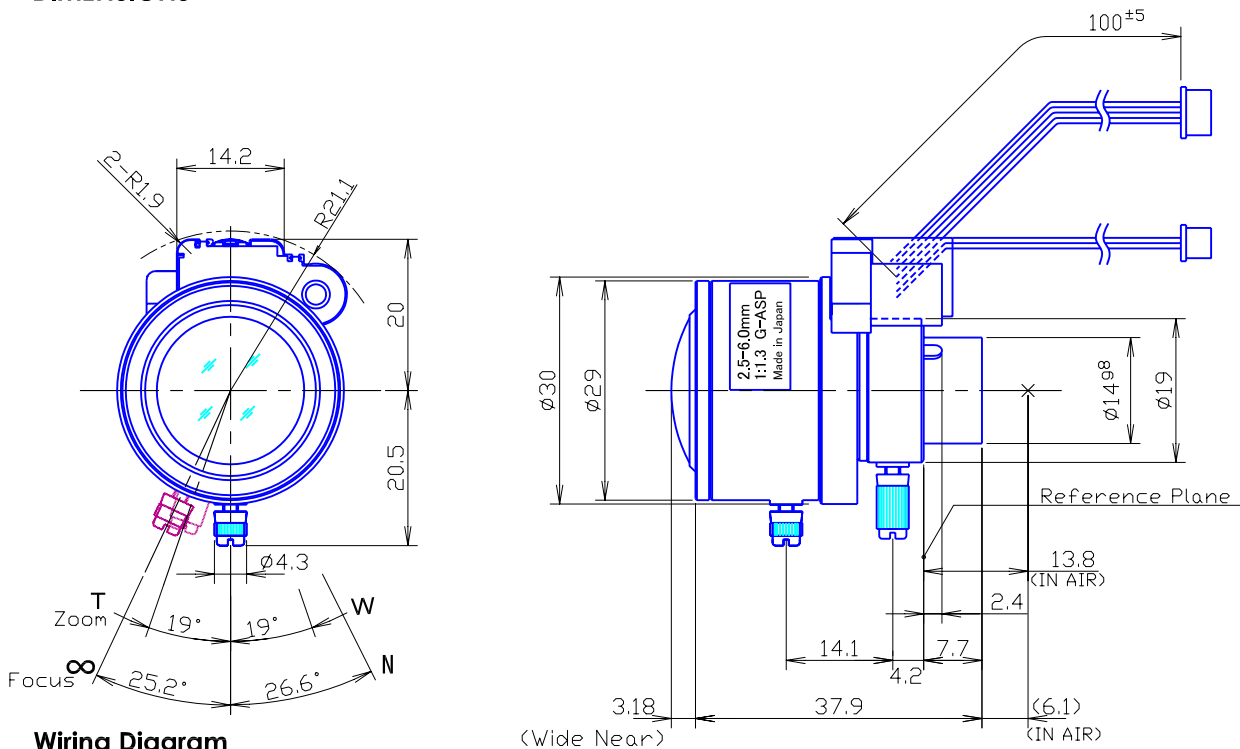
TVF2.4X2513IR-BCDN



Type	AI VARI		Mount	ø14 Straight Mount		
Focal Length	2.5~6.0mm		Back Focus	6.2~10.6mm		
Fno.	F1.3		Flange Back	13.8mm		
Designed Image Format	1/3"(4.8x3.6mm)		Exit Pupil	-288.0 ~ -25.5mm		
Operation Range	Iris	F1.3-F360	Filter Size	-		
	Focus	0.15m~∞	Aperture	Front	ø18.9mm	
	Zoom	2.5~6.0mm		Rear	ø7.2mm	
Control	Iris	DC Galvanometer	Dimension	ø29 x 37.9mm		
	Focus	Manual		Weight	32g	
	Zoom	Manual				
Object Size at MOD	Wide	134.5x220.9mm				
	Tele	51.2x 70.0mm				
Field of View	D	136.6°~59.4°	1/4"	101.2°~44.6°		
	H	108.2°~47.6°		80.4°~35.6°		
	V	80.4°~35.6°		60.0°~26.8°		
Control	Iris		Focus		Zoom	
Driving Coil/Supply Volt.	190Ω		-		-	
Damping Coil/Current	855Ω		-		-	
IR Cut Filter	3.5V ~ 5V		-		-	
Response Time	-		-		-	
Potentiometer	-		-		-	
Light Measuring Method	-		-		-	
Input Signal	-		-		-	
Iris Accuracy	-		-		-	
Sensitivity Adjustment	-		-		-	
Operating Temperature	-10 ~ +50 degree C		-		-	

1/3"
FM
BCDN

DIMENSIONS



Wiring Diagram

1) 4-pin Connector for Auto Iris
(Molex : 51021-0400 Single Socket)

Pin No.1	Yellow	Damping(+)	▶
2	Orange	Damping(-)	
3	Brown	Driving (+)	
4	Red	Driving (-)	

2) 2-pin Connector for IR Cut Filter
(Molex : 51021-0200 Single Socket)

Pin No.1	Red	IR IN/OUT(+)	▶
2	Black	IR GND	