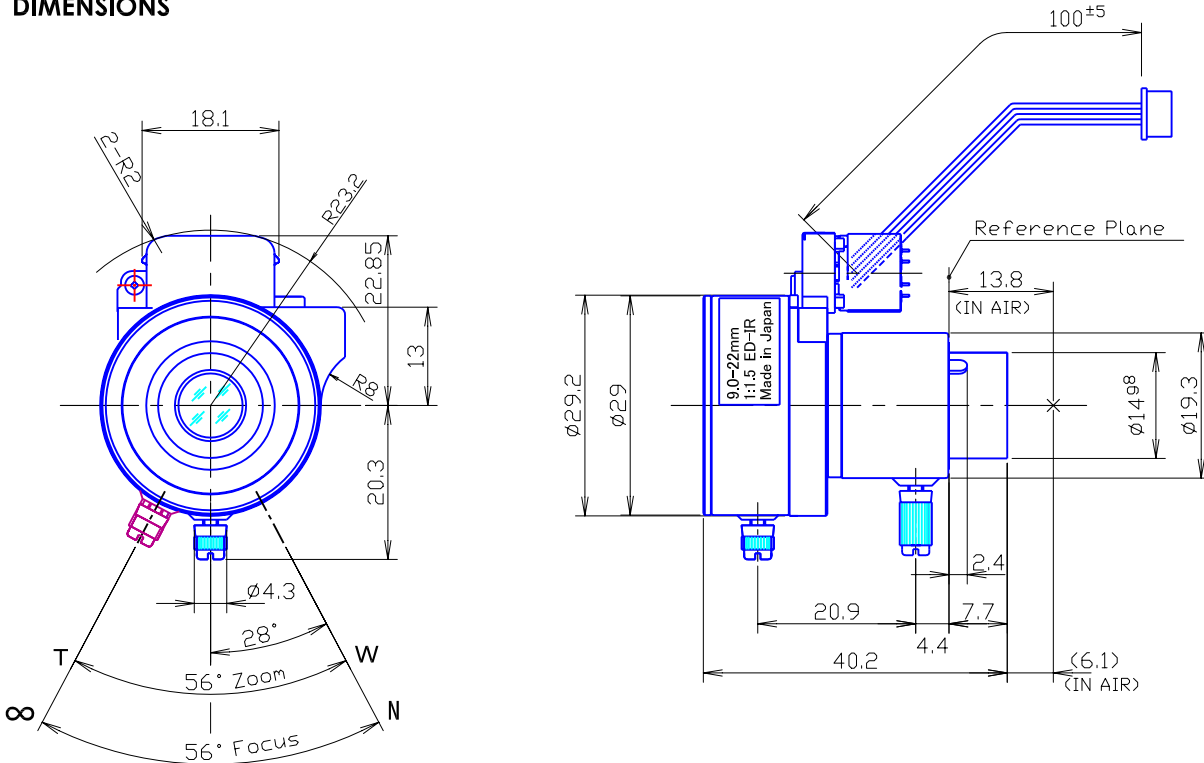


TVF2.4X0915IR-BCD

Type	AI VARI	Mount	ø14 Straight Mount			
Focal Length	9.0~22.0mm	Back Focus	6.7~14.3mm			
Fno.	F1.5	Flange Back	13.8mm			
Designed Image Format	1/3"(4.8x3.6mm)	Exit Pupil	-48.7 ~ -27.0mm			
Operation Range	Iris	F1.5-F360	Filter Size	-		
	Focus	0.50m~∞	Aperture	Front	ø8.2mm	
	Zoom	9.0~22.0mm		Rear	ø7.3mm	
Control	Iris	DC Galvanometer	Dimension	ø29.2 x 40.2mm		
	Focus	Manual		Weight	22g	
	Zoom	Manual				
Object Size at MOD	Wide	208.2x285.8mm				
	Tele	88.8x118.8mm				
Field of View	D	39.2°~16.4°	1/4"	28.6°~12.2°		
	H	1/3" 30.6°~13.0°		22.6°~9.8°		
	V	22.6°~9.8°		16.8°~7.4°		
Control	Iris	Focus	Zoom			
Driving Coil/Supply Volt.	190Ω	-	-			
Damping Coil/Current	465Ω	-	-			
Response Time	-	-	-			
Potentiometer	-	-	-			
Light Measuring Method	-					
Input Signal	-					
Iris Accuracy	-					
Sensitivity Adjustment	-					
Operating Temperature	-10 ~ +50 degree C					

1/3"
FM
BCD

DIMENSIONS



Wiring Diagram

1) 4-pin Connector for Auto Iris
(Molex : 51021-0400 Single Socket)

Pin No.1	Yellow	Damping(+)	▶
2	Orange	Damping(-)	
3	Brown	Driving (+)	
4	Red	Driving (-)	