

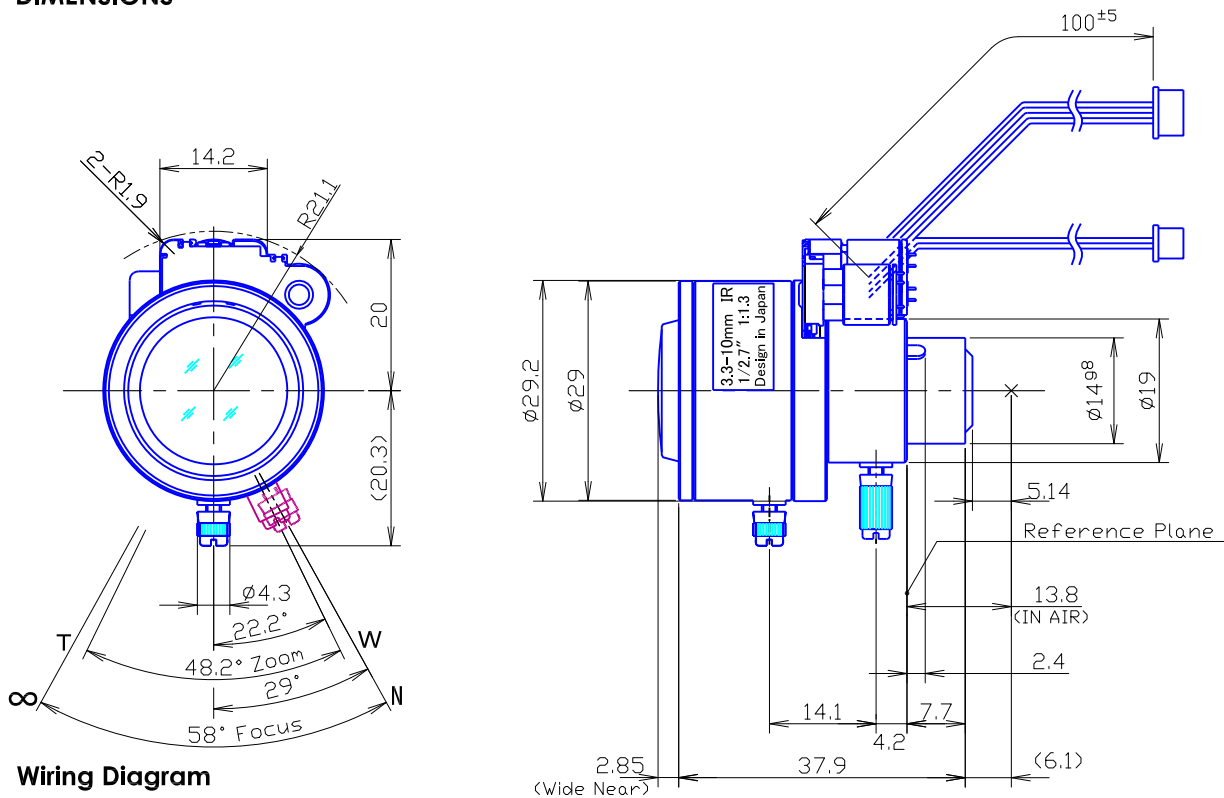
SVF3X3313IR-BCDN



Type	AI VARI		Mount	ø14 Straight Mount			
Focal Length	3.3~10.0mm		Back Focus	5.7~12.3mm			
Fno.	F1.3		Flange Back	13.8mm			
Designed Image Format	1/2.7"(ø 6.75)		Exit Pupil	-103.3 ~ -21.5mm			
Operation Range	Iris	F1.3-F360	Filter Size	-			
	Focus	0.15m~∞	Aperture	Front	ø15.9mm		
	Zoom	3.3~10.0mm		Rear	ø6.6mm		
Control	Iris	DC Galvanometer	Dimension	ø29 x 37.9mm			
	Focus	Manual		Weight	31g		
	Zoom	Manual					
Object Size at MOD	Wide	358.3x222.3mm					
	Tele	81.9x60.8mm					
Field of View	D	4:3	127.1°~40.5°	16:9	127.1°~40.5°		
	H					96.2°~32.4°	107.0°~35.4°
	V					69.6°~24.3°	55.9°~19.8°
Control	Iris	Focus	Zoom				
Driving Coil/Supply Volt.	190Ω	-	-				
Damping Coil/Current	855Ω	-	-				
IR Cut Filter	3.5V ~ 5V	-	-				
Response Time	-	-	-				
Potentiometer	-	-	-				
Light Measuring Method	-						
Input Signal	-						
Iris Accuracy	-						
Sensitivity Adjustment	-						
Operating Temperature	-10 ~ +50 degree C						

1/3"
FM
BCDN

DIMENSIONS



Wiring Diagram

1) 4-pin Connector for Auto Iris
(Molex : 51021-0400 Single Socket)

Pin No.1	Yellow	Damping(+)
2	Orange	Damping(-)
3	Brown	Driving (+)
4	Red	Driving (-)

2) 2-pin Connector for IR Cut Filter
(Molex : 51021-0200 Single Socket)

Pin No.1	Red	IR IN/OUT(+/-)
2	Black	IR GND