

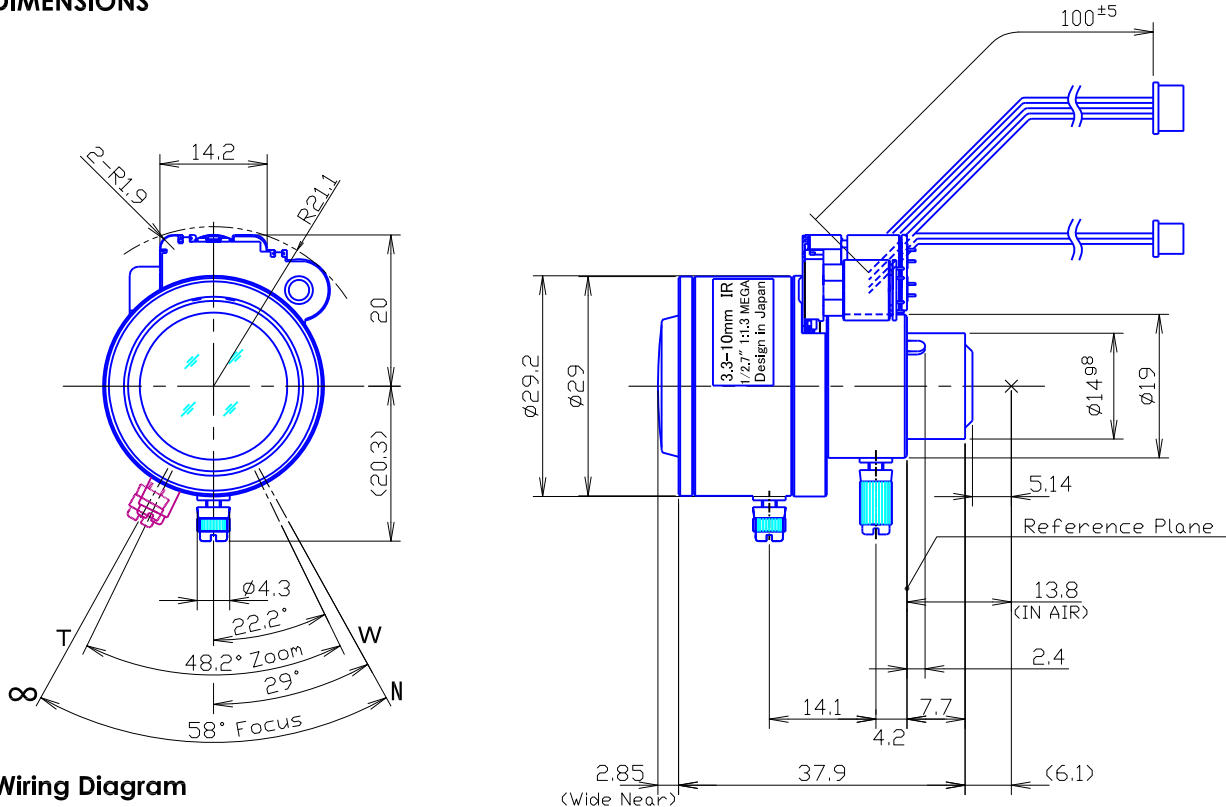
MSVF3X3313IR-BCDN

Type	AI VARI		Mount	ø14 Straight Mount			
Focal Length	3.3~10.0mm		Back Focus	5.7~12.3mm			
Fno.	F1.3		Flange Back	13.8mm			
Designed Image Format	1/2.7"(ø 6.75)		Exit Pupil	-87.6 ~ -21.1mm			
Operation Range	Iris	F1.3-F360	Filter Size	-			
	Focus	0.15m~∞	Aperture	Front	ø 15.9mm		
	Zoom	3.3~10.0mm		Rear	ø 6.5mm		
Control	Iris	DC Galvanometer	Dimension	ø29 x 37.9mm			
	Focus	Manual		Weight	31g		
	Zoom	Manual					
Object Size at MOD	Wide	363.7x223.7mm					
	Tele	81.8x60.7mm					
Field of View	D	4:3	129.3°~40.5°	16:9	129.3°~40.5°		
	H					97.1°~32.4°	108.2°~35.4°
	V					70.1°~24.3°	56.2°~19.8°
Control	Iris		Focus		Zoom		
Driving Coil/Supply Volt.	190Ω		-		-		
Damping Coil/Current	855Ω		-		-		
Response Time	-		-		-		
Potentiometer	-		-		-		
Light Measuring Method	-		-		-		
Input Signal	-		-		-		
Iris Accuracy	-		-		-		
Sensitivity Adjustment	-		-		-		
Operating Temperature	-10 ~ +50 degree C		-		-		

1/3"
FM

BCD

DIMENSIONS



Wiring Diagram

1) 4-pin Connector for Auto Iris
(Molex : 51021-0400 Single Socket)

Pin No.1	Yellow	Damping(+)	▶
2	Orange	Damping(-)	
3	Brown	Driving (+)	
4	Red	Driving (-)	

2) 2-pin Connector for IR Cut Filter
(Molex : 51021-0200 Single Socket)

Pin No.1	Red	IR IN/OUT(+)	▶
2	Black	IR GND	